

# Assembly Instructions

## Addison Office Chair

- Before you begin to assemble your new piece of furniture, please check to ensure that all parts have been supplied.
- Follow instructions closely as deviation from them may void your warranty and present a possible safety risk.
- It is recommended that assembly is done on a soft surface like carpet to avoid any damage.
- If you experience any problems with your new purchase please phone our Customer Service Hotline 1800 807 416 (Customers outside Australia should contact their closest Freedom store.)

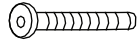
### Care Information

Periodically check and re-tighten any fasteners. Wipe down all surfaces weekly with a clean cloth. Do not clean any surfaces with harsh abrasives or chemicals.

### Hardware



4xPart A



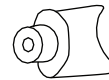
4xPart B



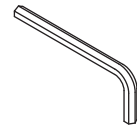
4xPart C



4xPart D

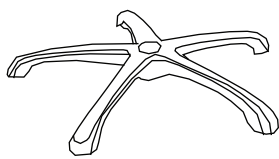


4xPart E



1xPart F

### Parts



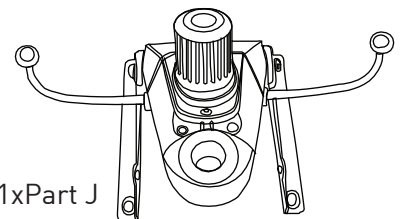
1xPart G



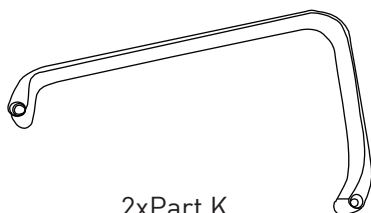
5xPart H



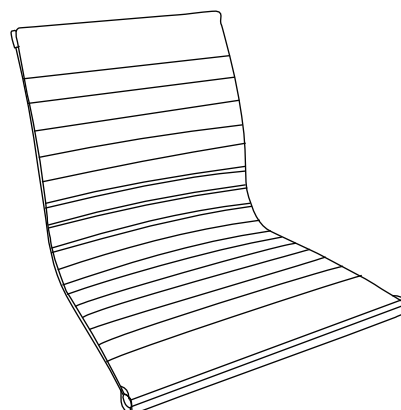
1xPart I



1xPart J



2xPart K

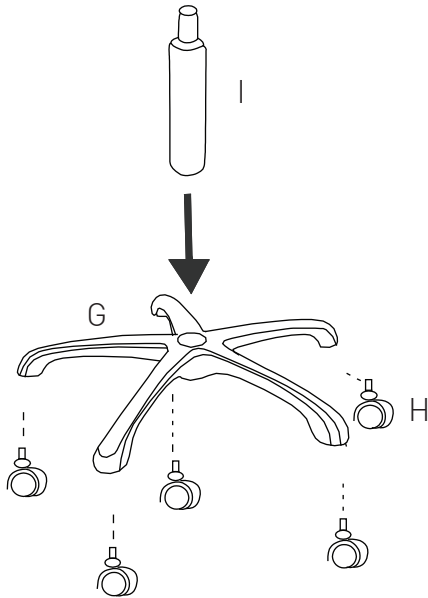


1xPart L

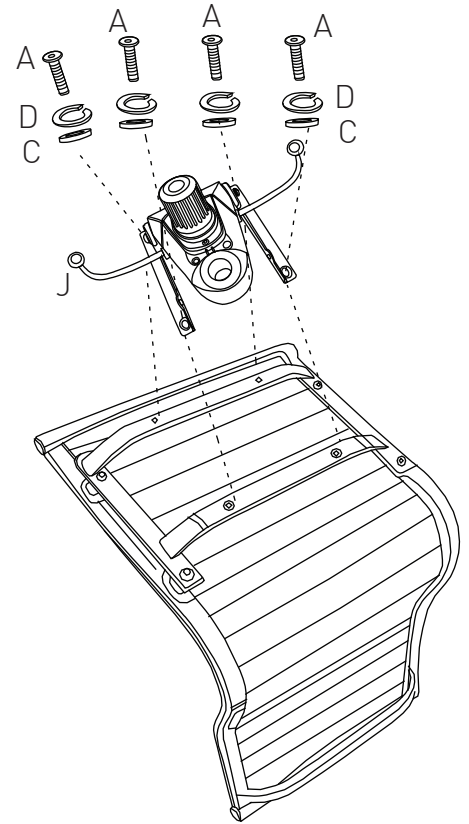
# Assembly Instructions

Addison Office Chair

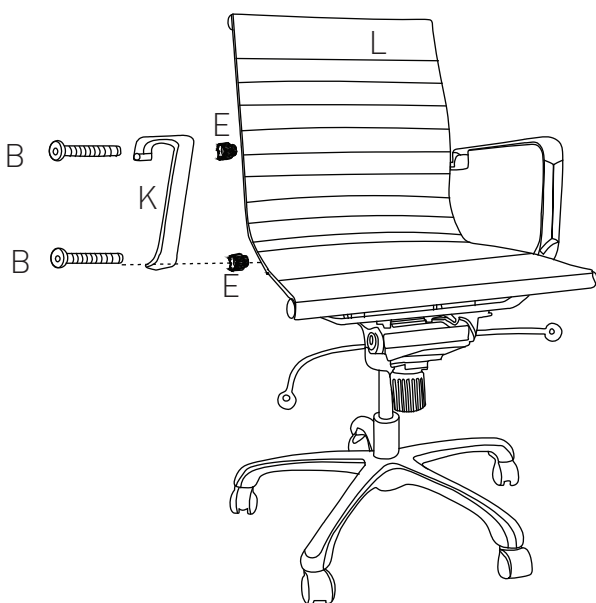
## Step: 1



## Step: 2



## Step: 3



## Step: 4

